

Electroshock Weapon Measurements: Instrumentation Requirements and Limitations

Paulter N^{1*}, Jenkins D² and Ichikawa N³

¹National Institute of Standards and Technology, MD 20899, USA

²State College, The Pennsylvania State University, PA 16804-0030, USA

³Kogakuin University, Shinjuku, Tokyo 163-8677, Japan

*Corresponding author: Paulter N, National Institute of Standards and Technology, 100 Bureau Drive, Gaithersburg, MD 20899, USA, Tel: 240-483-5947; E-mail: paulter@nist.gov

Received date: March 14, 2017; Accepted date: April 04, 2017; Published date: April 12, 2017

Copyright: © 2017 Paulter N, et al. This is an open-access article distributed under the terms of the Creative Commons Attribution License, which permits unrestricted use, distribution, and reproduction in any medium, provided the original author and source are credited.

Abstract

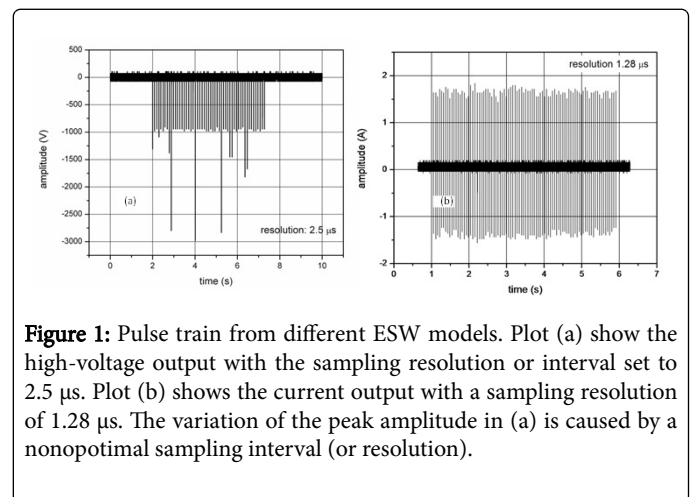
Electroshock Weapons (ESWs) are a commonly used tool in the escalation of force arsenal for law enforcement and the military around the world. The ESWs provides a high-voltage low- current electrical shock (a pulse burst) that can temporarily incapacitate its target (typically a human). This shock is usually of sufficient energy to cause the individual to become temporarily incapacitated for up to a few seconds after the discharge is completed. It is important to accurately know the output of the ESW because of the serious safety ramifications if the ESW fails to operate properly. However, these transient ESW pulse outputs may have frequency content exceeding 100 MHz while simultaneously have durations greater than 10 s, and the impedance of the target may vary amongst targets and may vary between pulses of a given pulse burst for a given target. These facts greatly increase the challenges in performing high-fidelity reproducible measurements of the ESW transient signals. To ensure that the ESW operates properly requires special measurement instruments because of the bandwidth, duration, and amplitude of the output signals. Moreover, accurate measurement capability supports modelling and subsequent understanding of the physiological effects of ESW exposure.

Keywords: Electroshock weapons; Transient signals; Electrical pulses

Introduction

The electrical output of the ESW is a pulse train burst (Figures 1 and 2) containing many tens to hundreds of nominally identical electrical pulses with a total pulse burst duration ranging from less than 1 s to greater than 10 s. The pulses in a burst may have fast transitions ranging from approximately a couple of nanoseconds to a more than a few microseconds in duration [1-3]. The pulses may be bipolar and may exhibit aberrations, where these aberrations are dependent on the electrical load attached to the ESW.

Consequently, waveform parameters should be extracted from the pulse train that accurately and reproducibly describe the output of the ESW. Current commercially-available off-the-shelf instruments cannot provide the necessary measurement capability to capture the detail and duration of the ESW current or high-voltage outputs. We describe how measurement system shortfalls influence waveform fidelity and provide guidance on minimally-acceptable system performance requirements. Although we have developed a measurement system to provide the requisite metrological capability, we hope that the information presented here would elicit interest in the development of capable measurement systems suitable for use by metrology and calibration labs to support medical research labs and ESW technology developers [4].



Measurement system general considerations

A general diagram for an ESW measurement system is shown in Figure 2. Tables 1 and 2 contain performance specifications for the expected components of the measurement system. These specifications were determined to be applicable for metrology-quality measurements of the output of ESW. Figure 2 shows the testing of an ESW being tested, where the dotted lines show a measurement configuration for measuring the current output of the ESW.

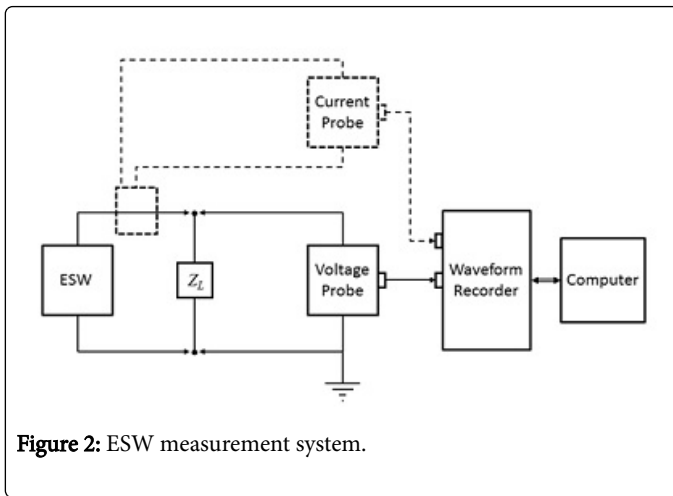


Figure 2: ESW measurement system.

Inductance: Electrical load	<0.01 L_{ESW} or 20 nH, whichever is greater, where L_{ESW} is the self-inductance of the wire connecting the barbs and body of an ESW
Analog bandwidth: High-voltage probe	≥ 100 MHz
Analog bandwidth: Current probe	≥ 200 MHz
Current-voltage ratio: Current probe	Appropriate for ESW output and Z_{WR}
Hi-voltage-voltage ratio: High-voltage probe	Appropriate for ESW output and Z_{WR}

Table 2: Connector, cable, load, and probe minimum performance specifications.

Parameter	Values
Analog bandwidth (MHz)	≥ 500
Sampling rate (Samples/s)	$\geq 1 \times 10^9$
Epoch, minimum (s)	≥ 10
Signal-to-noise ratio (SNR) (dB) [IEEE 1057, Clause 8.3]	≥ 40
Signal-to-noise-and-distortion ratio (SINAD) (dB) [IEEE 1057, Clause 8.2]	≥ 40
Spurious-free dynamic range (SFDR) (dB) [IEEE 1057, Clause 8.8]	≥ 50
Effective number of bits (ENOB) (bits) [IEEE 1057, Clause 8.5]	≥ 7
Input impedance: matched to probe impedance, Z_{probe}	$Z_{probe} \pm 0.02 Z_{probe}$
Input impedance: not matched to Z_{probe}	$\geq 10 Z_{probe}$

Table 1: Waveform recorder minimum performance specifications.

Parameter	Values
Impedance: Cable, connector	$50 \Omega \pm 2 \Omega$
Impedance, output: High-voltage probe	$Z_{WR} \pm 0.05 Z_{WR}$: To match to a waveform recorder with input impedance, Z_{WR} , of approximately 50Ω $< 0.1 Z_{WR}$ for $Z_{WR} \neq 50 \Omega$
Impedance, output: Current probe	$Z_{WR} \pm 0.05 Z_{WR}$ for matching to a waveform recorder with a nominal input impedance, Z_{WR} , of 50Ω $< 0.1 Z_{WR}$, for $Z_{WR} \neq 50 \Omega$
Analog bandwidth: Cables, connectors	> 1 GHz
Resistance: Electrical load	$400 \Omega \pm 4 \Omega$ $600 \Omega \pm 6 \Omega$ $1000 \Omega \pm 10 \Omega$

Test Methods

To measure the electrical output of an ESW, it must be connected to an appropriate electrical load. This electrical load should emulate that expected during normal use of the ESW and, in a measurement, is terminally connected to the ESW. ESW testing requires measuring both the current and High-Voltage (HV) output, thus one current transducer and one HV transducer are required.

The HV transducer typically has high input-impedance and is attached in parallel to the load resistor. This transducer provides electrical isolation between the HV ESW output and the low-voltage input of the waveform recorder. The current transducer provides similar electrical isolation. The current passing through the electrical load is sensed by the transducer and provides a proportional low-voltage output.

Testing of the ESW requires that the ESW be terminated into electrical loads that emulate the electrical load presented by the expected target, where the output of a given ESW may be a function of the electrical load [4]. To emulate the typical electrical load of targets, materials such as solid polymeric (carbon-black loaded fluoropolymer) materials, which has the same nominal bulk electrical conductivity of human muscle tissue (about 0.8 S/m from about 10 Hz to 100 MHz), and saline solutions (electrical conductivity of about 0.8 S/m), have been examined [5][7].

However, greater measurement reproducibility and ease of making electrical connection is obtained using high-voltage-rated resistors than by using the phantom or saline solution. Some ESW manufacturers claim that their ESW models can sense changes in the electrical load presented by the target during an exposure and then adapt the output of the pulses to deliver a constant energy to the target. The effect of high voltage exposure on impedance change has also been observed experimentally [8]. Figure 3 shows the output current of an ESW while abruptly changing the load from 400Ω to 600Ω between the 19th and 20th pulses. This particular model ESW does not have the ability to adjust its output in real time.

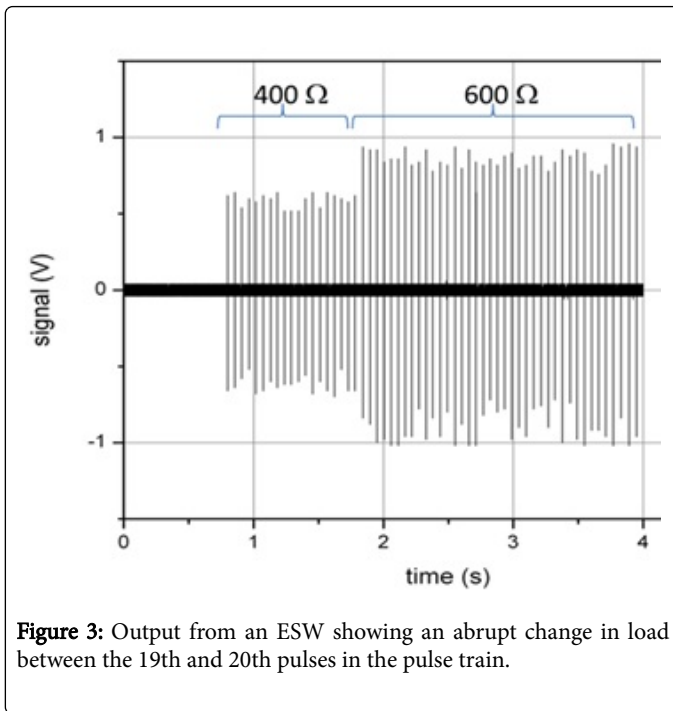


Figure 3: Output from an ESW showing an abrupt change in load between the 19th and 20th pulses in the pulse train.

Parameters Measured

The waveform parameters of peak amplitudes of voltage and/or current, total charge (net, positive, or negative), partial charge (charge contained within defined parts of the waveform), pulse duration, pulse repetition rate, number of pulses, and pulse burst duration are the most commonly cited parameters for describing ESW performance. These parameters are all affected by noise, sampling rate, and the attenuation bandwidth of the measurement system (Sec. II.D). The temporal parameters (durations and rates) and charge parameters will also be dependent on user-defined values for amplitude reference levels, and initial and final summation instants (Sec. II.E.).

The terms listed below are used to describe the ESW electrical output and are defined in the International Electrotechnical Commission (IEC) 62792 [9], the IEC 62754 [10] (equivalently the IEEE Std. 181 [11]). Note, the measurements of the ESW output are single events (single shot) and averaging between successive events may not be possible or advisable because of signal repeatability.

Pulse duration, TP, is computed using [10][11]:

$$T_p = \left| t_{2,x\%} - t_{1,x\%} \right| \quad (1)$$

where $t_{2,x\%}$ is the reference level instant for the first transition of the pulse and $t_{1,x\%}$ is the reference level instant for the second transition of the pulse. Similarly pulse separation, pulse period, etc., are a function of $t_{2,x\%}$ and $t_{1,x\%}$. The TP is a function of user-defined reference levels, sampling rate, noise, and measurement system attenuation bandwidth.

Another important parameter for ESW characterization is the charge delivered to a load. This charge is computed using either the average over the entire current waveform (for net charge) or the average over user-specified parts of the current waveform (for positive or negative charge). The average value of a pulse burst is computed using [9]:

$$\bar{y}_i = \left(\frac{1}{M_i} \right) \sum_{j=1}^{M_i} y_j, \quad i = 1, \dots, N, \quad (2)$$

where y is charge, M_i is the number of waveform samples in the i th waveform sub-epochs, N is the number of samples (elements) in a waveform sub-epoch, i is the index for the waveform sub-epoch (one sub-epoch for each pulse in a pulse burst), and j is the summation index. One of the pulses in the pulse train correlates to a waveform sub-epoch. For simplicity, consider only one waveform sub-epoch, so (2) reduces to:

$$\bar{y} = \left(\frac{1}{M} \right) \sum_{j=1}^M y_j \quad (3)$$

Net charge, Q_{net} , is then computed from (3) using [9]:

$$Q_{net} = \bar{y}T \quad (4)$$

Where T is the duration of the waveform epoch or the summation interval defined by the user. Measurement and computation processes and variables that affect y_i and T will influence the value of Q_{net} . Therefore, user defined epochs will affect Q_{net} . Furthermore, ESW industry practice is to set amplitude thresholds that exclude y_i from the summation, and this will affect Q_{net} . The Q_{net} is a function of user-defined reference levels and threshold values, system attenuation bandwidth, noise, and the sampling rate.

Instrument Effects

The effects of the ESW measurement system are computed using numerical simulations and, therefore, the waveform values and axis labels in Figure 4 are unit less. The measurement system's 3 dB attenuation bandwidth affects the maximum peak; positive, negative, and total sums; and pulse duration of the ESW output waveforms. The effect of attenuation bandwidth on some of these parameters is shown in Figure 4. The relative bandwidth, BW_R , of the ESW measurement system is computed using:

$$BW_R = \frac{BW_{sig}}{BW_{sys}} \quad (5)$$

where BW_{sig} and BW_{sys} are the -3 dB attenuation bandwidths of the ESW output signal and of the measurement system. For the current waveform, this sum will be related to the charge delivered to the load per Equation (4).

The sampling rate used in the ESW measurement can affect the ESW output waveforms. Specifically, detail of the ESW output may not be captured if the sampling rate is too low, and, consequently, any parameters depending on accurate temporal information may be lost. Figure 5 shows the effect of sampling rate, or equivalently the number of waveform samples, on pulse duration, peak amplitude, and the sum of the positive waveform values. Post-sampling filtering was not applied to prevent bandwidth reduction.

ESW measured values of peak amplitude and pulse durations are also sensitive to instrument and signal noise. Since these are single shot measurements, signal averaging cannot be used to reduce the effect of noise. Noise causes erroneous waveform values of peak amplitude, reference levels, and waveform instants, all of which are used in the computation of the parameters previously described.

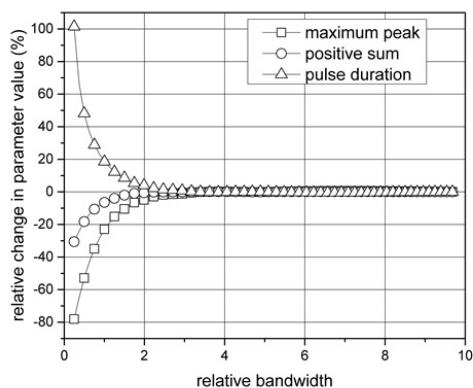


Figure 4: Relative bandwidth and its effect on maximum peak, positive sum, and pulse duration. The reference parameter values are taken at a relative bandwidth of 10, which is the highest bandwidth.

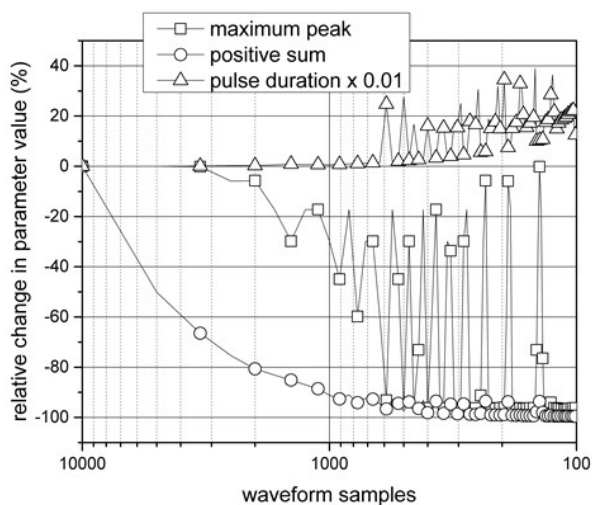


Figure 5: The effect of waveform samples on ESW relative performance parameters of maximum peak, positive sum, and pulse duration are shown. The relative pulse duration values were multiplied by 0.01 to plot on the same scale as the other relative performance parameters. The reference parameter values are taken at 10,000 waveform samples, which is the highest sampling rate.

User-defined Parameter Effects

The user of the ESW measurement system defines the percent reference levels and reference instants (as described in the IEC 62792) that are used in the computation of the ESW waveform parameters, and these user-defined values will affect the value of those ESW waveform parameters. As an example, Figure 6 shows that increasing the reference level (or amplitude summation threshold) decreases the sum of the positive waveform values. This summation threshold is

given as percentage of the peak amplitude. The change in the positive sum is the greatest for small increases in the summation threshold and is more pronounced for the waveforms with higher relative bandwidth. Different waveform profiles will demonstrate different sensitivities to changes in the summation threshold. The effects of reference instants, which would define the interval for summation, has similar effects to that shown here.

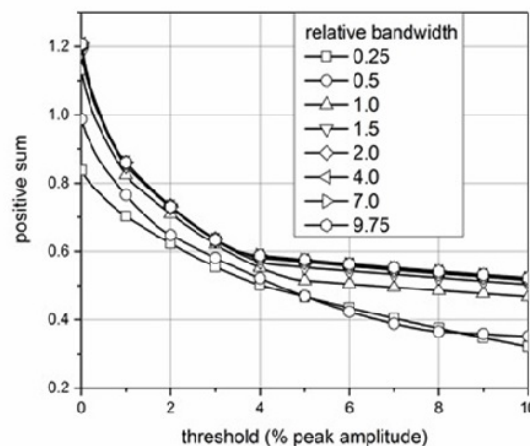


Figure 6: The effect of increasing summation threshold on the positive sum for waveforms with different relative bandwidths.

Summary

Electroshock weapons provide a unique measurement challenge to accurately capture its output, which is a single burst of high-bandwidth high-voltage pulses that often exceeds a few seconds. This uniqueness constrains the options for the measurement system required to capture the waveforms with sufficient fidelity. Inadequate measurement systems and poorly-defined user references can significantly reduce the accuracy of the measured waveform parameter.

References

1. http://www.scienceadvice.ca/uploads/eng/assessments%20and%20publications%20and%20news%20releases/cew/cew_fullreporten.pdf
2. Holden SJ, Sheridan RD, Coffey TJ, Scaramuzza RA, Diamantopoulos P (2007) Electromagnetic modelling of current flow in the heart from TASER devices and the risk of cardiac dysrhythmias. *Phys Med Biol* 52: 7193-7209.
3. McDaniel WC, Benwell A, Kovaleski S (2009) Electrical Parameters of Projectile Stun Guns. 31st Annual International Conference of the IEEE EMBS, Minneapolis, Minnesota, USA.
4. Paulter NG, Larson DR (2013) A reference measurement system for electroshock weapons. 7th European Symposium on Non-Lethal Weapons, paper V29, Stadthalle Ettlingen, Germany.
5. Baker Jarvis J, Kaiser R, Janezic MD, Paulter NG, Stricklett KL (2002) Metal detector studies: Research materials. US Government Printing office, Washington, DC, USA.
6. Gabriel C, Gabriel S, Corthout E (1996) The dielectric properties of biological tissues: I. Literature survey. *Phys Med Biol* 41: 2231-2249.
7. Hoetink AE, Faes TJC, Visser KR, Heethaar RM (2004) On the Flow Dependency of the Electrical Conductivity of Blood. *IEEE Trans Biomed Eng* 51: 1251-1261.

8. Gowrishankar TR, Pliquett U, Weaver JC (1999) Changes in Skin Structure and Electrical Properties following High Voltage Exposure. Ann NY Acad Sci 888: 183-194.
9. International Electrotechnical Commission (2015) Measurement method for the output of electroshock weapons.
10. International Electrotechnical Commission (2013) Transitions, pulses and related waveforms – Terms, definitions and algorithms.
11. Institute of Electrical and Electronic Engineers (2011) Standard for Transitions, Pulses, and Related Waveforms.